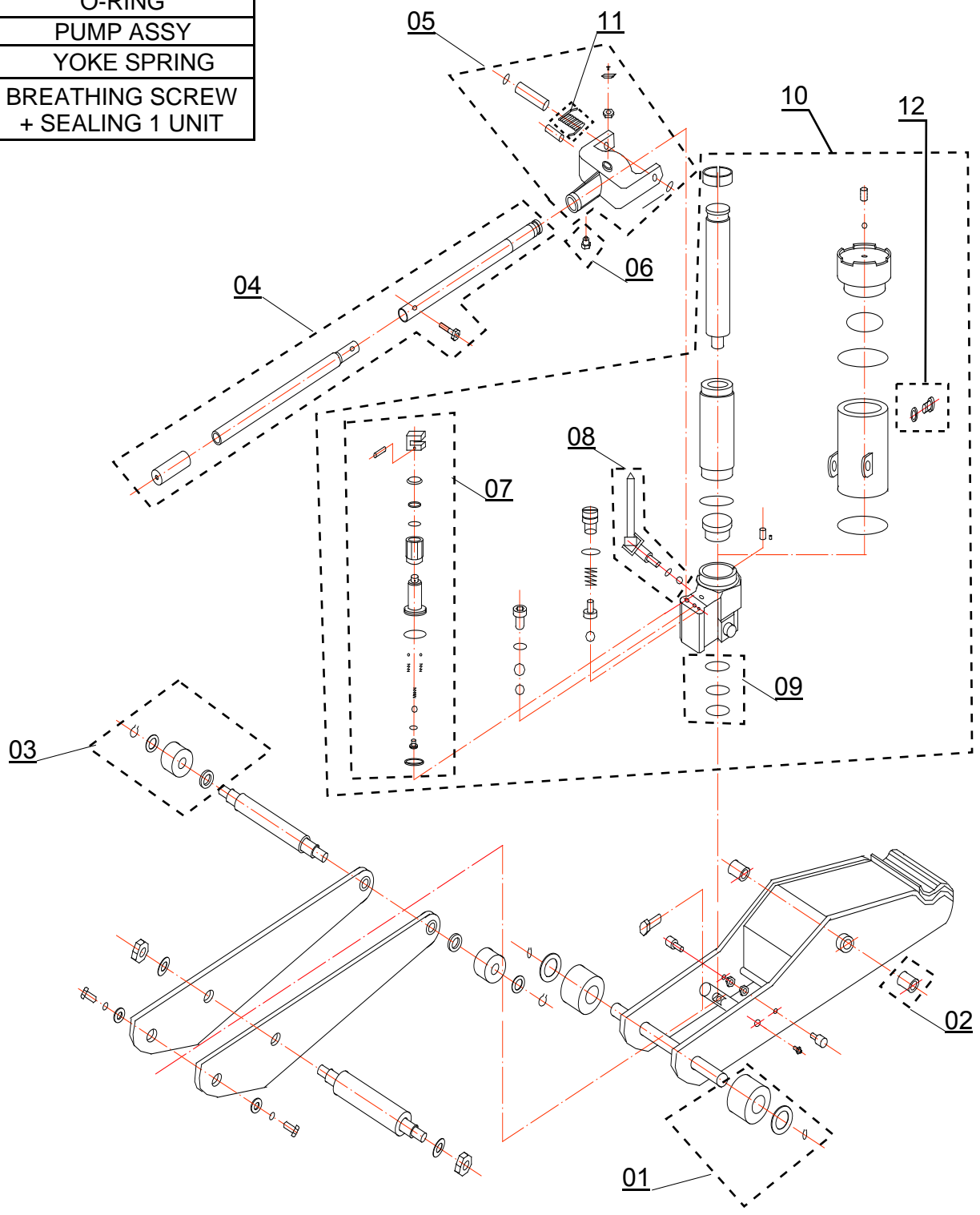


Item#	P/N	Description
1	BH1S45-01	REAR WHEEL ASSY
2	BH1S45-02	SPACER
3	BH1S45-03	FRONT WHEEL ASSY
4	BH1S45-04	HANDLE ASSY
5	BH1S45-05	YOKE ASSY
6	BH1S45-06	YOKE SCREW
7	BH1S45-07	PLUNGER ASSY
8	BH1S45-08	CARDAN ASSY
9	BH1S45-09	O-RING
10	BH1S45-10	PUMP ASSY
11	BH1S45-11	YOKE SPRING
12	BH1S45-12	BREATHING SCREW + SEALING 1 UNIT



**BAHCO**

**BH1S45**

SNA Europe does not cover the causes over negligence in tool use and/or repair, inadequate care, or abnormal usage conditions. Follow the instructions for proper use, safety, maintenance and servicing given by SNA Europe.