

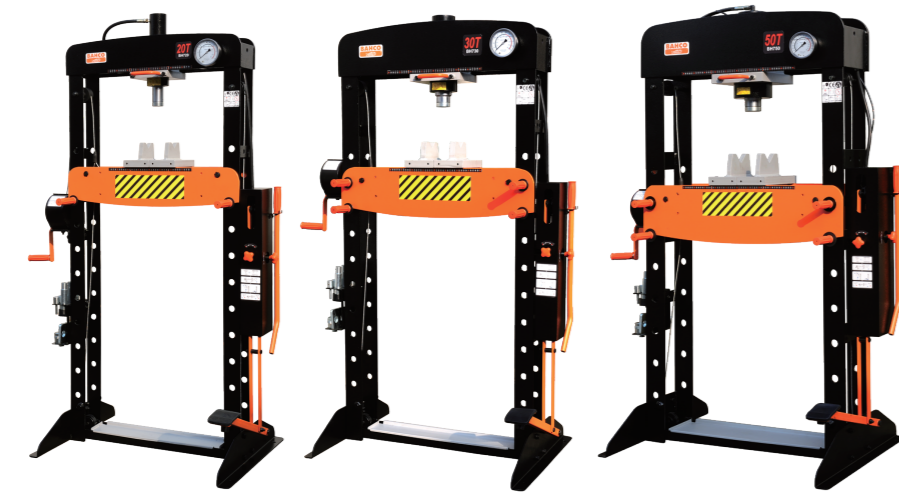
BH720  
BH730  
BH750



BH720  
BH730  
BH750



www.bahco.com



BH720

BH730

BH750

Original Instructions

SNA Europe SAS  
Allée Rosa Luxembourg  
95610 Eragny sur Oise France



Rev. 23/08/17

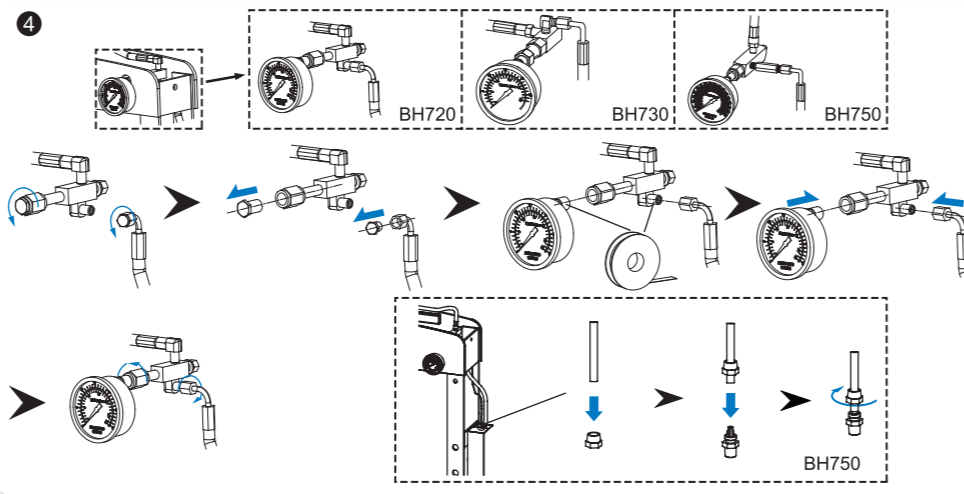
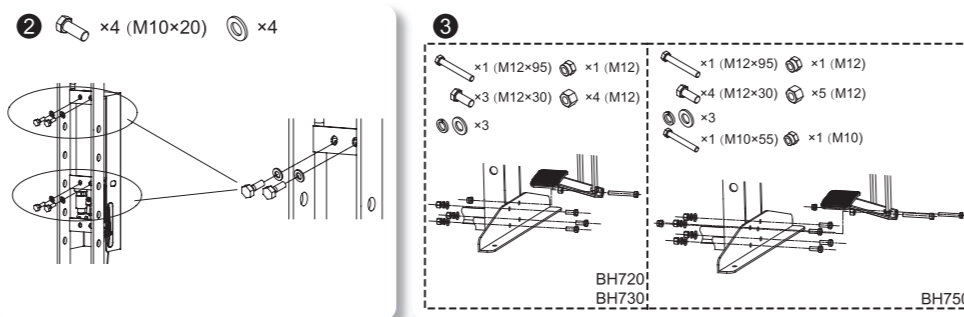
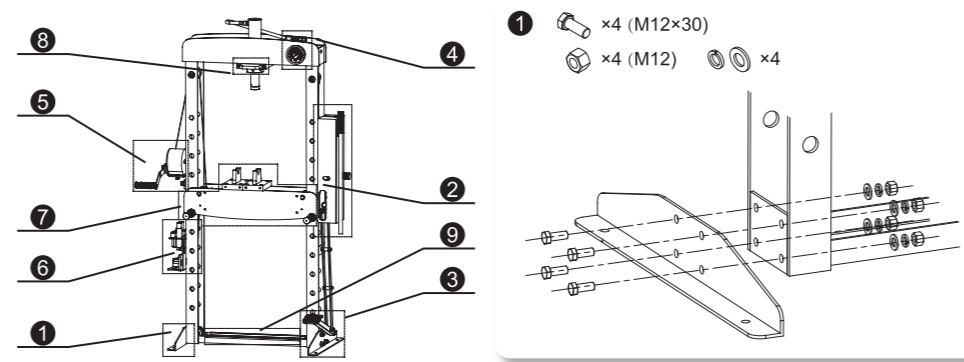


WWW.SNAEUROPE.COM



BH720  
BH730  
BH750

Assembly/Montage/Montagem/Montaggio/Aufbau des Gerätes/Montage/Montaz/Montering/Samling/Montering/Kokooninen/Monraj/Montaj/Montazj/Montaz

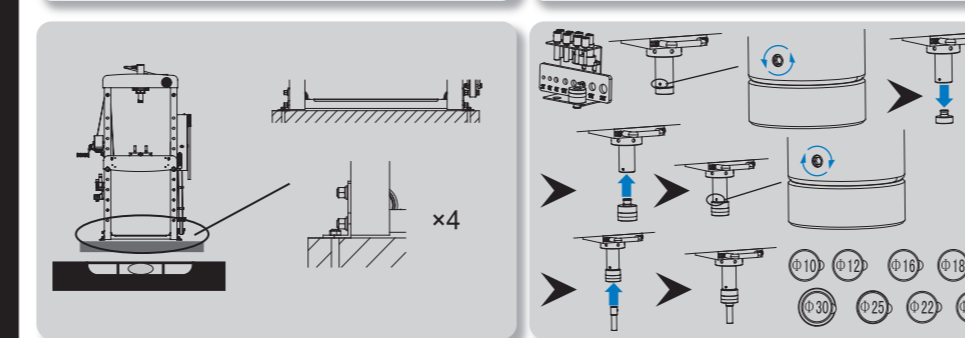
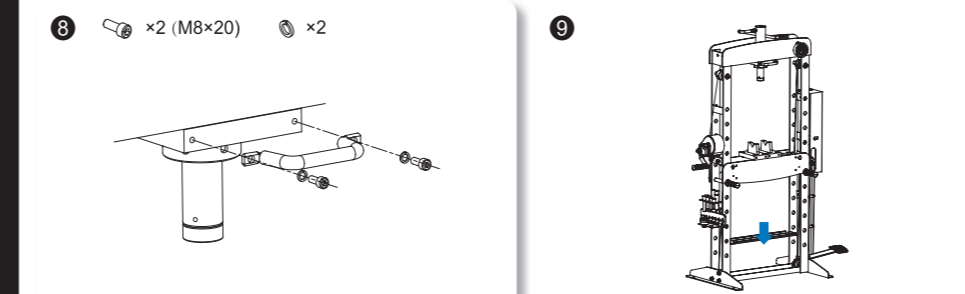
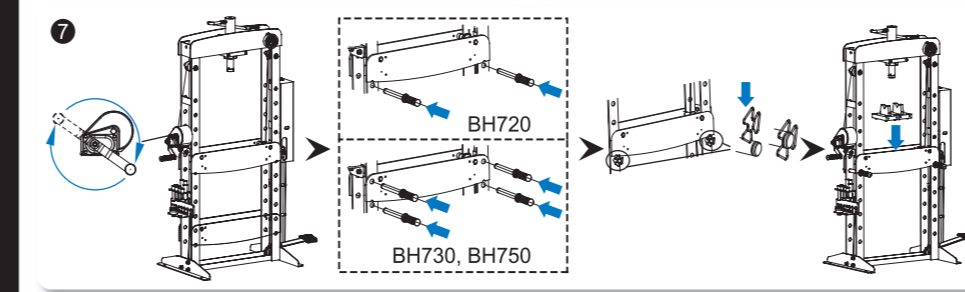
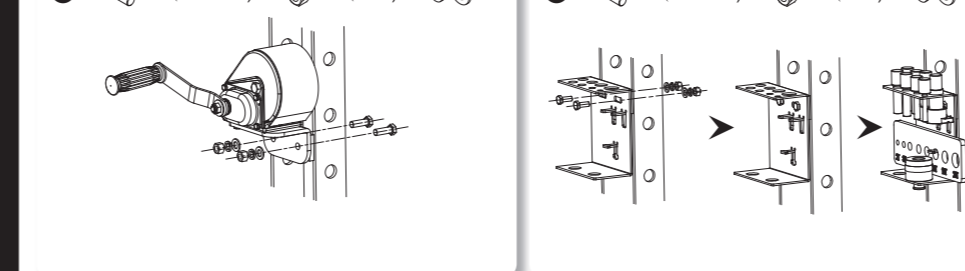


2

BH720  
BH730  
BH750



Assembly/Montage/Montagem/Montaggio/Aufbau des Gerätes/Montage/Montaz/Montering/Samling/Montering/Kokooninen/Monraj/Montaj/Montazj/Montaz

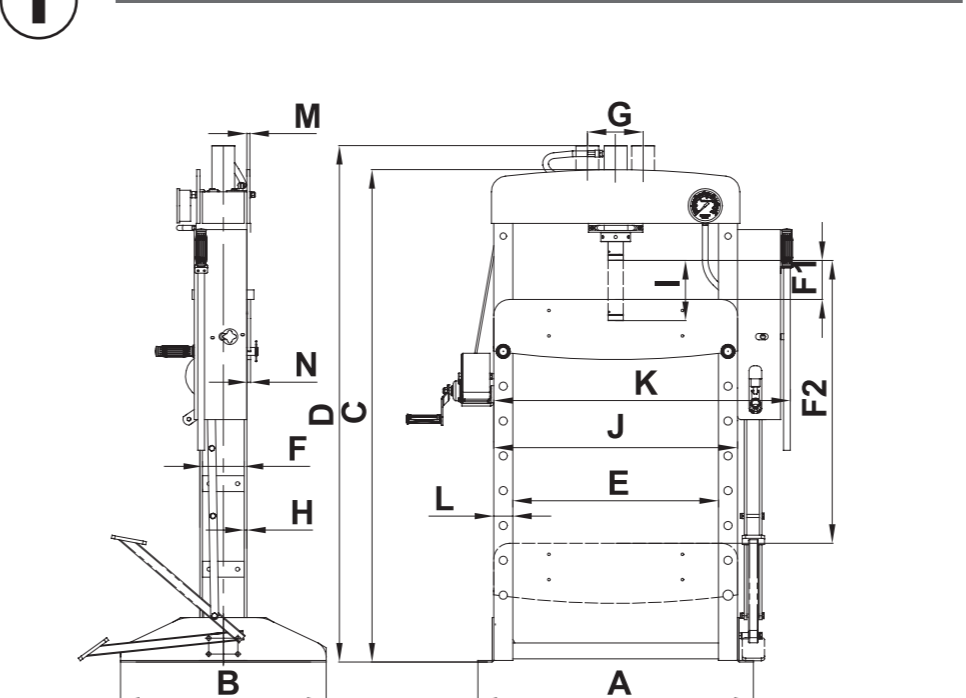


3



BH720  
BH730  
BH750

Assembly/Montage/Montagem/Montaggio/Aufbau des Gerätes/Montage/Montaz/Montering/Samling/Montering/Kokooninen/Monraj/Montaj/Montazj/Montaz



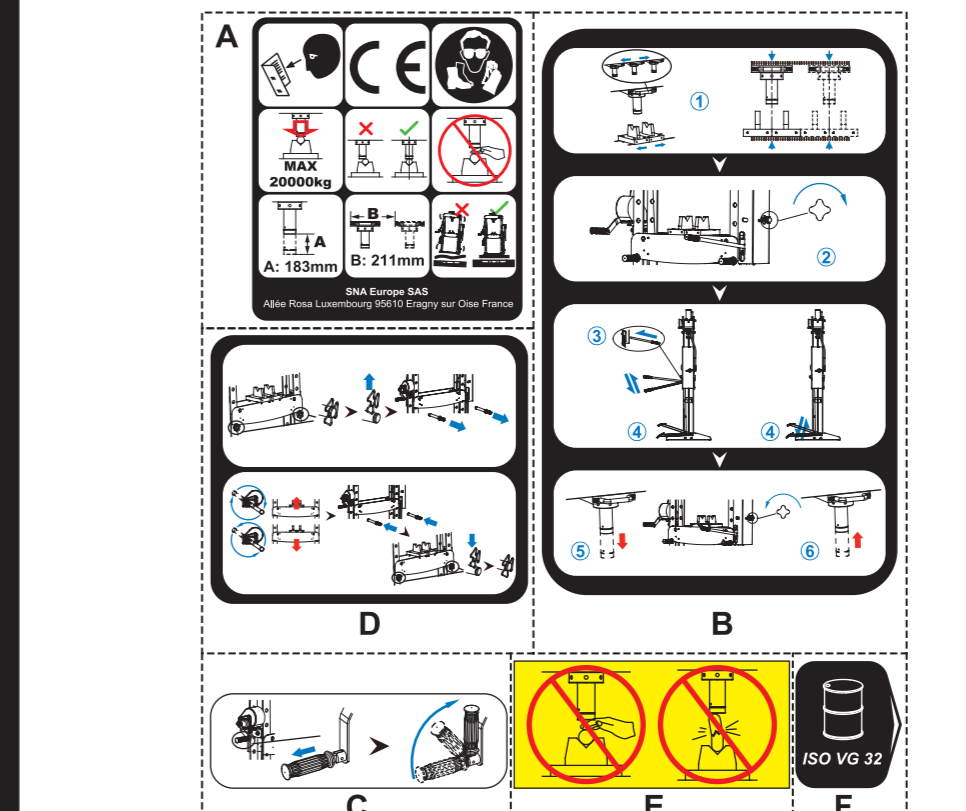
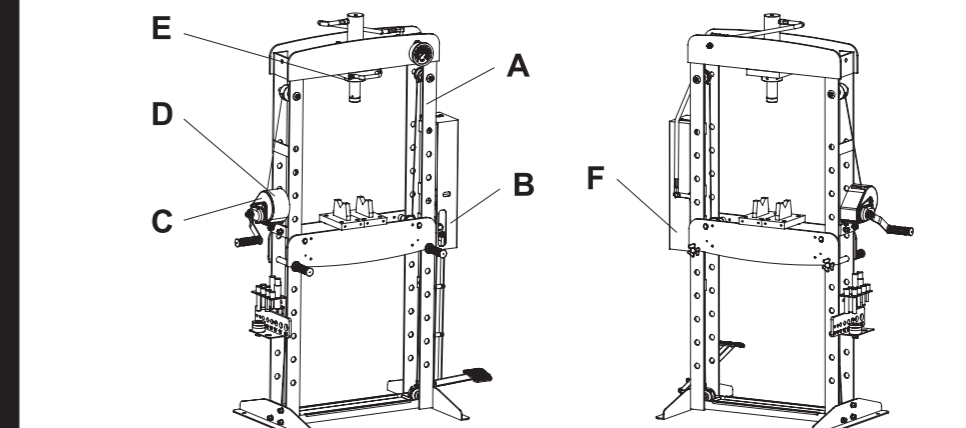
Codes	Capacity kg	A/mm	B/mm	C/mm	D/mm	E/mm	F1/mm	F2/mm	F/mm	G/mm	H/mm	I/mm	J/mm	K/mm	L/mm	M/mm	N/mm	kg	B
BH720	20 000	890	650	1790	1885	650	43	1143	130	215	8	190	790	960	70	10	10	152	0,9
BH730	30 000	960	700	1780	1810	700	140	1020	140	200	10	160	860	1030	80	10	10	189	1,1
BH750	50 000	1010	770	1835	1855	730	173	1013	205	280	12	200	910	1110	90	12	12	301	2,5

4

BH720  
BH730  
BH750



Assembly/Montage/Montagem/Montaggio/Aufbau des Gerätes/Montage/Montaz/Montering/Samling/Montering/Kokooninen/Monraj/Montaj/Montazj/Montaz



5



BH720  
BH730  
BH750

Assembly/Montage/Montagem/Montaggio/Aufbau des Gerätes/Montage/Montaz/Montering/Samling/Montering/Kokooninen/Monraj/Montaj/Montazj/Montaz

Bahco thanks you for the purchase of one of our products and invites you to read this user manual. It contains all information required for the proper use of this device. We recommend you to read it completely and follow the given instructions carefully. Please keep the user manual in a good condition. For your own safety, it is vital that you exercise caution and good judgment in handling this product and other tools.

These notes on safety contain some of the most important sources of danger; however, they cannot cover all possible hazards. Use the equipment only for its intended use, any other use is explicitly excluded! For injuries and damages resulting from improper use, misuse or infringement of safety instructions, we accept no liability or warranty.

**1. Inspection.**

- Open the packing and check that the equipment has not been damaged in transit and that you received all the parts specified in the shipping documents. Before bringing the equipment into service conduct a visual inspection in order to determine leaks, damages, loose or missing parts.

**2. Application.**

- The Units described here are operated manually which apply pressure on parts for assembly or disassembly purposes.
- For good use of the press never exceed the maximum capacity and never apply more pressure than necessary.
- Do not misuse the press.
- Please also mind the product safety information!

**3. Startup and operation.**

- To using the press, the hydraulic circuit needs to be drained in order to eliminate any air from the valve system of the hydraulic unit. For this, open the offload key, by turning it in an anti-clockwise direction.
- Then pump the hydraulic unit several times. Then fully turn the offload key in a clockwise direction. The hydraulic unit is ready for use.
- Finally, position the press on a firm, regular and horizontal surface and make sure that it is firmly secured to the floor and that the work area has sufficient lighting.
- Following use of the press, keep the piston, screw and the pump piston fully retracted.

**4. Maintenance.**

- Lubricate the axes and moving parts at regular intervals.
- The elements of the press should be kept clean and protected from aggressive conditions at all times.
- Check the oil level of the pump with the piston of the cylinder fully retracted and refill as required in accordance with the volume indicated in the table Fig. 1.
- An excess of oil may affect the operation of the hydraulic unit.
- Only use hydraulic oil with an ISO grade ISO VG32.
- Never use brake fluid!
- Always use original spare parts.
- Any damage or malfunction caused by the use of unauthorized parts is not covered by Warranty or Product Liability.
- All damaged, strongly worn out or improperly functioning devices HAVE TO BE TAKEN OUT OF OPERATION.
- The repair of the equipment should be performed only by qualified technical staff.

**5. Disposal.**

- The disposal of this equipment must be in accordance with the legislation the respective country.

6