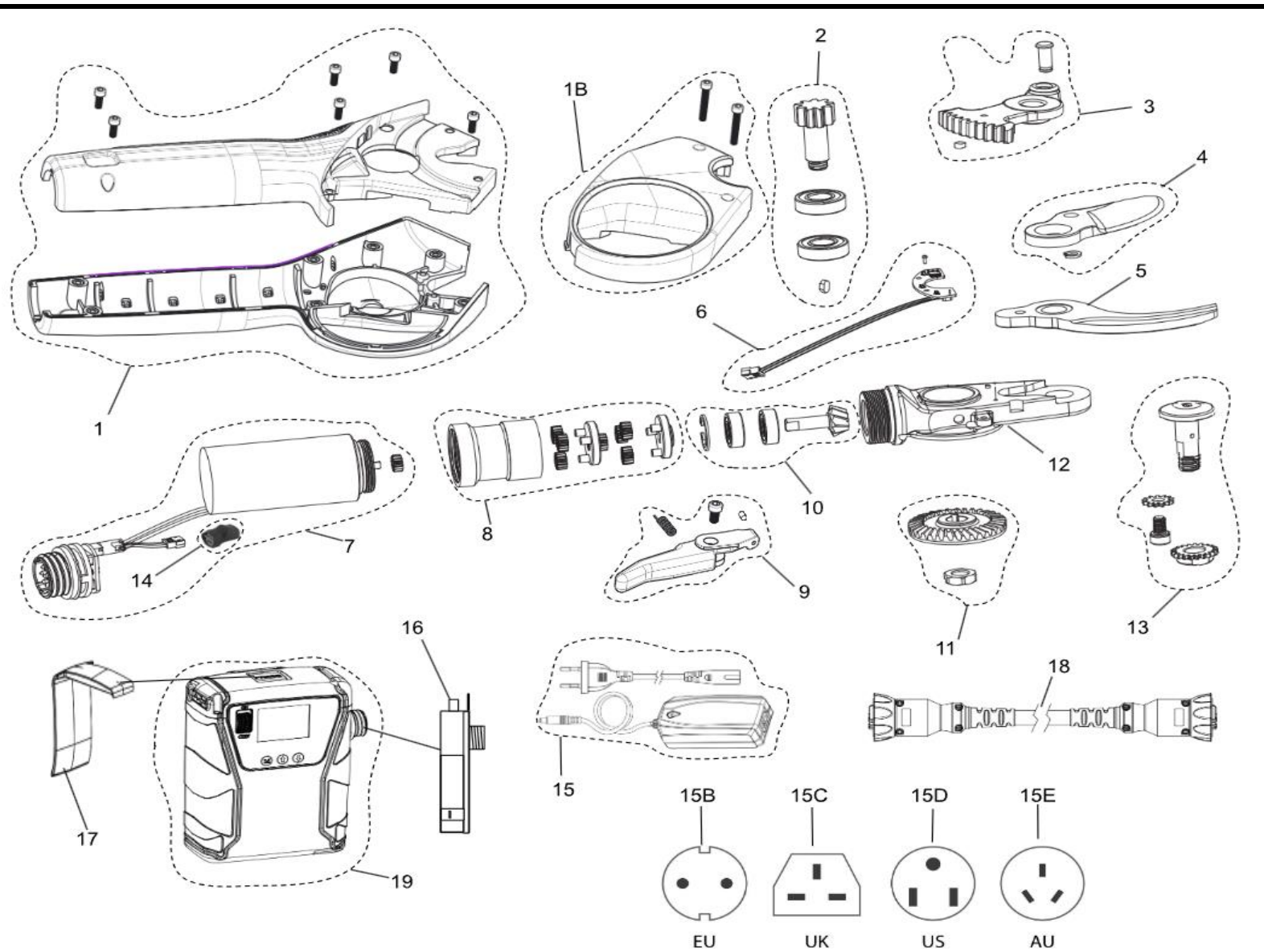


Nº	CODE	DESCRIPTION
1	BCL2401	CASE COVER ASSY
1B	BCL2401B	RIM PINION COVER ASSY
2	BCL2402	DRIVING GEAR ASSY
3	BCL2403	CONICAL RIMA ASSY
4	BCL2404	BLADE ASSY
5	BCL2405	COUNTER BLADE
6	BCL2406	HALL PCB ASSY
7	BCL2407	ENGINE ASSY
8	BCL2408	GEAR BOX ASSY
9	BCL2409	TRIGGER ASSY
10	BCL2410	SMALL BEVEL ASSY
11	BCL2411	BIG SPIRAL BEVEL ASSY
12	BCL2412	MAIN BODY
13	BCL2413	CENTER BOLT ASSY
14	BCL2314	ENGINE PCB
15	BCL2C1	CHARGER
15B	BBBCAB-EU	EU POWER CORD C7
15C	BBBCAB-UK	UK POWER CORD C7
15D	BBBCAB-US	US POWER CORD C7
15E	BBBCAB-AUZ	AUZ POWER CORD C7
16	BCL2316	CONTROL BOX
17	BCL2417	BATTERY HOLSTER
18	BCL2318	CABLE
19	BCL2B2	BATTERY ASSY



BCL24

Revision: 03

SNA Europe does not cover the causes over negligence in tool use and/or repair, inadequate care, or abnormal usage conditions. Follow the instructions for proper use, safety, maintenance and servicing given by SNA Europe

26092023