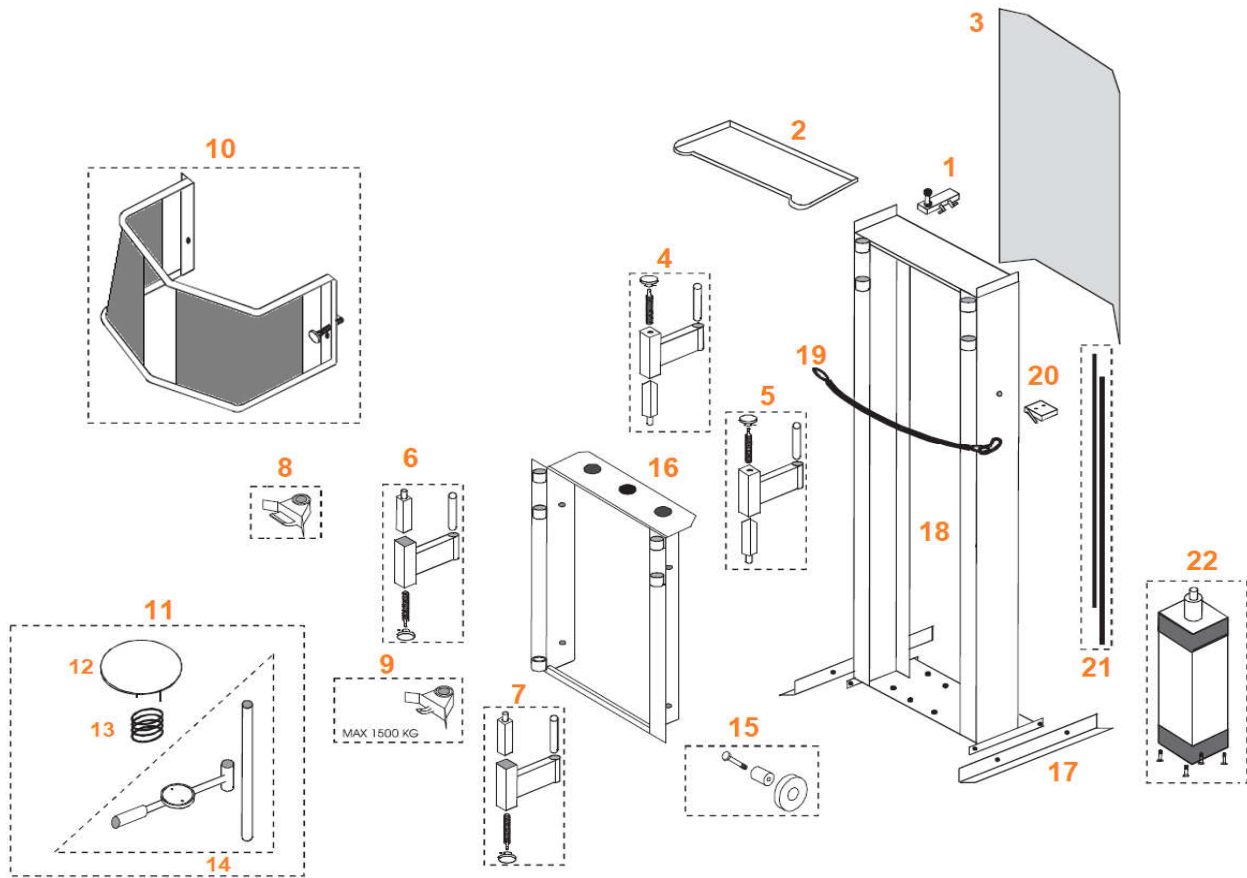




BS30PG Exploded view



NO	BAHCO REF.	DESCRIPTION
1	BS30-01	MAIN UPPER SWITCH
2	BS30-02	PLASTIC TOOL TRAY
3	BS30-03	SAFETY BACK SCREEN
4	BS30-04	UPPER LEFT ARM MECHANISM
5	BS30-05	UPPER RIGHT ARM MECHANISM
6	BS30-06	LOWER LEFT ARM MECHANISM
7	BS30-07	LOWER RIGHT ARM MECHANISM
8	BS30-08	LARGE CLAMP
9	BS30-09	SMALL CLAMP
10	BS30PG-10	PROTECTIVE GRID
11	BS30-11	BOTTOM KIT PLATE SET
12	BS30-12	BOTTOM KIT SUPPPORT PAD
13	BS30-13	BOTTOM KIT SPRING
14	BS30-14	BOTTOM KIT TUBES
15	BS30-15	BEARING KIT
16	BS30-16	SLIDING FRAME
17	BS30-17	DOUBLE FOOT
18	BS30-18	MAIN FRAME
19	BS30-19	STEEL CABLE
20	BS30-20	SAFETY VALVE MICROSWITCH
21	BS30-21	AIR PIPES SET
22	BS30-22	INDIVIDUAL CYLINDER REPLACEMENT KIT