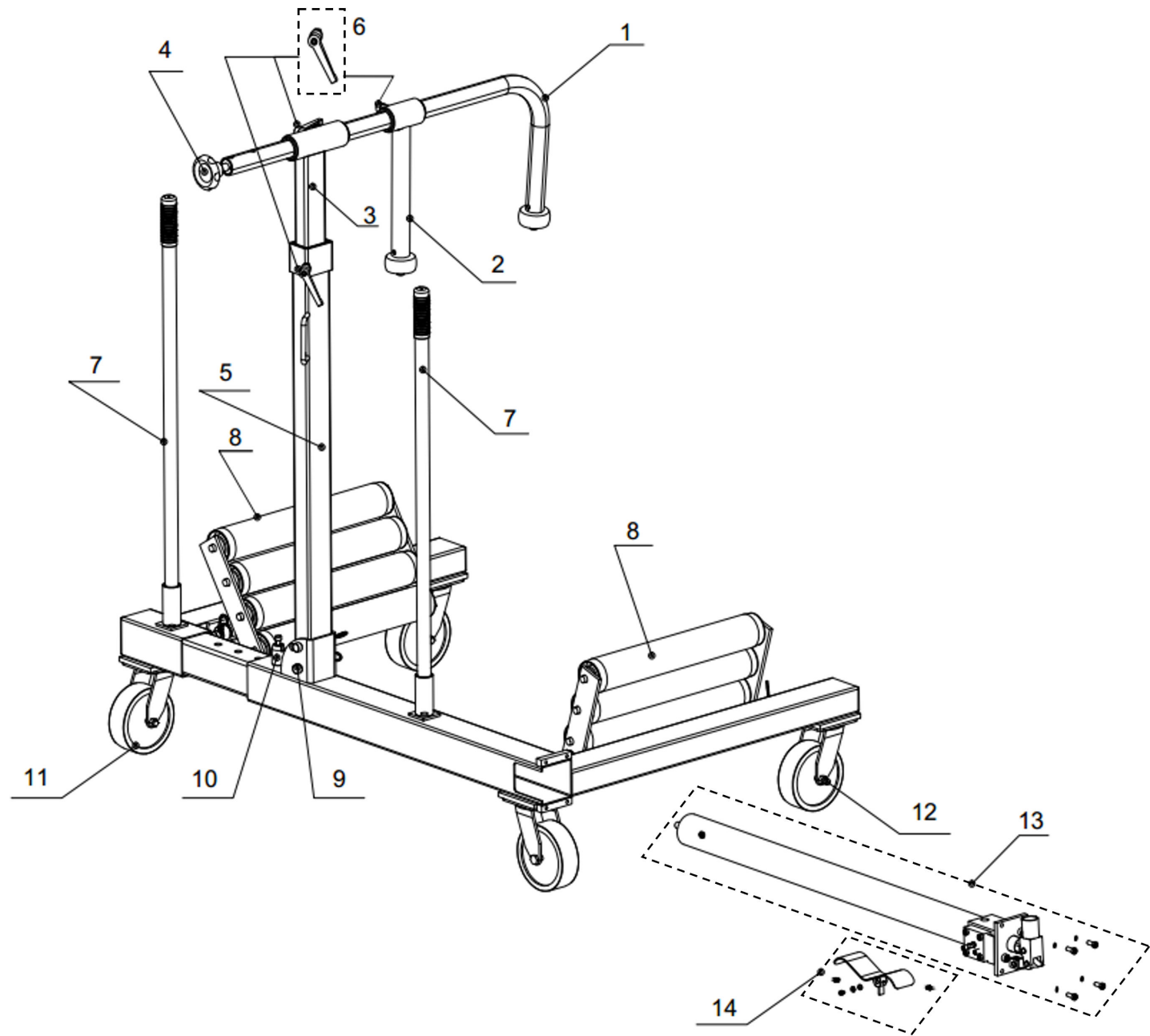


ITEM	CODE	DESCRIPTION
1	BH8AC3-1500A-01	WHEEL SUPPORT ARM
2	BH8AC3-1500A-02	SUPPORTING BAR
3	BH8AC3-1500A-03	LOCKING ARM
4	BH8AC3-1500A-04	KNOB
5	BH8AC3-1500A-05	SUPPORT ARM
6	BH8AC3-1500A-06	LOCKING HANDLE (1 UNIT)
7	BH8AC3-1500A-07	PUMP LEVER
8	BH8AC3-1500A-08	ROLLER TABLE
9	BH8AC3-1500A-09	LOCKING PIN + STOPPER
10	BH8AC3-1500A-10	LOCKING SYSTEM
11	BH8AC3-1500A-11	WHEEL WITH BRAKE (1 UNIT)
12	BH8AC3-1500A-12	WHEEL W/O BRAKE (1 UNIT)
13	BH8AC3-1500A-13	PUMP SET
14	BH8AC3-1500A-14	PEDAL SET



BH8AC3-1500A

Revision: 00

SNA Europe does not cover the causes over negligence in tool use and/or repair, inadequate care, or abnormal usage conditions. Follow the instructions for proper use, safety, maintenance and servicing given by SNA Europe.