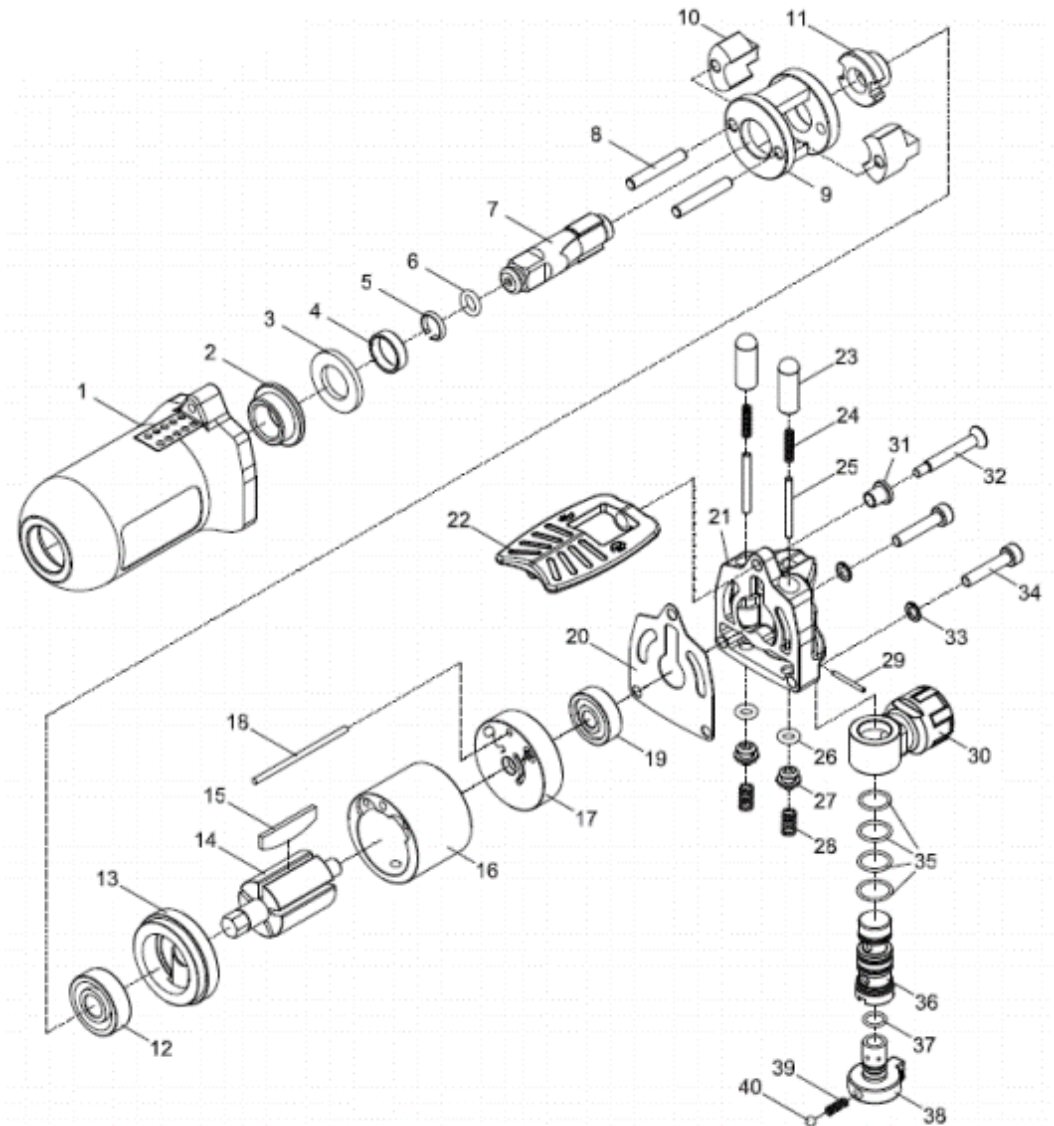


Nº	CODE	DESCRIPTION	Nº	CODE	DESCRIPTION
1&2	BP70401	HOUSING ASSEMBLY	22	BP70421	THROTTLE LEVER
3	BP70402	WASHER	23	BP70422	VALVE STEM (2)
4	BP70403	ANVIL BUSHING	24	BP70423	SPRING (2)
5	BP70404	SOCKET RETAINER	25	BP70424	PIN (2)
6	BP70405	O-RING	26	BP70425	O-RING (2)
7	BP70406	ANVIL 3/8"	27	BP70426	THROTTLE VALVE (2)
8	BP70407	HAMMER PIN (2)	28	BP70427	SPRING (2)
9	BP70408	HAMMER CAGE	29	BP70428	SPRING PIN
10	BP70409	HAMMER (2)	30	BP70429	AIR INLET
11	BP70410	CAM	31	BP70430	BUSHING
12	BP70411	BALL BEARING	32	BP70431	SCREW
13	BP70412	FRONT END PLATE	33	BP70432	SPRING WASHER (2)
14	BP70413	ROTOR	34	BP70433	SCREW (2)
15	BP70414	ROTOR BLADE (5)	35	BP70434	O-RING (4)
16	BP70415	CYLINDER	36	BP70435	VALVE BUSHING
17	BP70416	REAR END PLATE	37	BP70436	O-RING
18	BP70417	PIN	38	BP70437	REVERSE VALVE KNOB
19	BP70418	BALL BEARING	39	BP70438	SPRING
20	BP70419	GASKET	40	BP70439	STEEL BALL
21	BP70420	HOUSING CAP			



BP704



SNA Europe does not cover the causes over negligence in tool use and/or repair, inadequate care, or abnormal usage conditions. Follow the instructions for proper use, safety, maintenance and servicing given by SNA Europe